

Aftercare Instructions

Excessive exposure to water will deteriorate the furniture. Wipe away any water splashes or condensation after use.

All bathrooms should be well ventilated, if needed, with a suitable extractor fan.

Clean with a soft damp cloth only.

Use a wax free polish if one must be used.

For removal of lime scale deposits use a suitable cleaner.

Customer Services

t: +44(0)208 686 5100
e: technical@saneux.com

4 Imperial Way
Croydon CR0 4RR

www.saneux.com



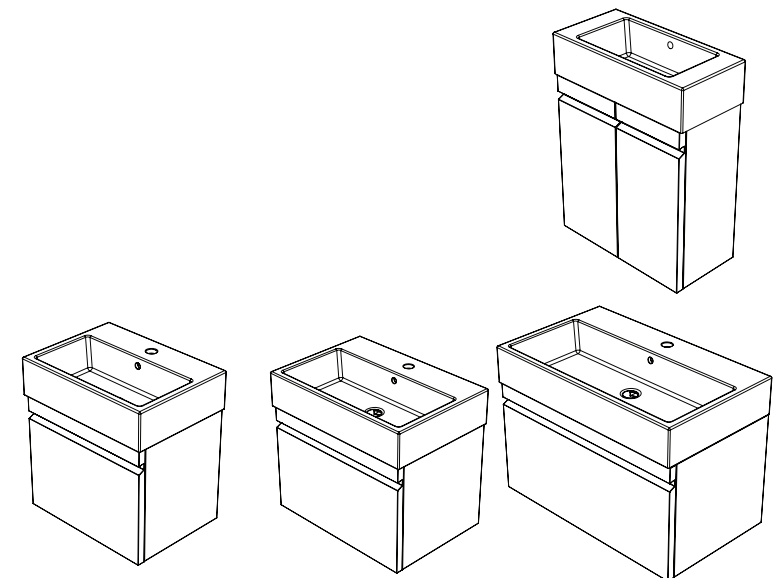
s a n e u x

MATTEO

**MG8501, 2, 3, 5 & 6. MG8201, 2, 3, 5 & 6.
MG4001, 2 & 3 . MG2501 & QU25023**

50cm, 60cm and 75cm soft close drawer units

INSTALLATION INSTRUCTIONS



1 & 2. Mark the location of both mounting plates ensured that they are positioned inside the sidewalls of the unit. The recommended height for the unit including basin is 900mm.

3. For each mounting plate drill two holes in the marked positions using a 8mm drill bit to a depth of 55mm.

4. Locate the hangers onto the wall mounting plates. Screw A adjusts the height of the unit and screw B tightens the unit against the wall.

5. Once the wall mounted unit has been secured to the wall, use a silicone sealant to permanently mount the basin to the unit.

6. To remove the drawer from the unit, fully extend the drawer. On the underneath of either side of the drawer are two plastic clips that can be pushed inwards to release the drawer from the runners. When replacing the drawer, ensure that the drawer clicks into position with the runners on both sides of the drawer.

7. The height of the front panel can be adjusted by turning the wheel located at the sides of the drawer, which can be accessed by removing the cover cap. Turning it forward will move the front panel up and turning it backward will move the front panel down. The front panel can also be removed by pushing buttons located at both sides of the drawer box.

8. Two door units can be adjusted by the screws on the door hinges. Turn screw A to adjust the depth of the door. Turn screw B to adjust the width of the door.

